



**kg** **FLC**  
COMPRESSION LOAD CELL



Capacity from 75 kg to 10000 kg

**FEATURES**

- 17-4 Ph Stainless Steel
- Combined Error  $\leq \pm 0.07\%$
- IP67 Protection Rating
- Adjustable Height



**LAUMAS**<sup>®</sup>



EXAMPLE OF INSTALLATION WITH STR AND SB2 SERIES FEET

CAPACITY	kg	THREAD	NET WEIGHT (kg)
	75	M12x1.75	1.70
	150	M12x1.75	1.70
	300	M12x1.75	-
	500	M12x1.75	1.70
	1000	M12x1.75	1.40
	2000	M12x1.75	1.70
	5000	M20x2.5	1.80
	10000	M24x3	1.70

Foot not included.

**CERTIFICATIONS**

**UKCA** Equivalent of the CE marking for the United Kingdom

CERTIFICATIONS ON REQUEST

✓ Linearity test

**Ex** ATEX II 3GD / (Zone 2-22) ( **CE - UKCA** )

**COMPLEMENTARY ACCESSORIES**

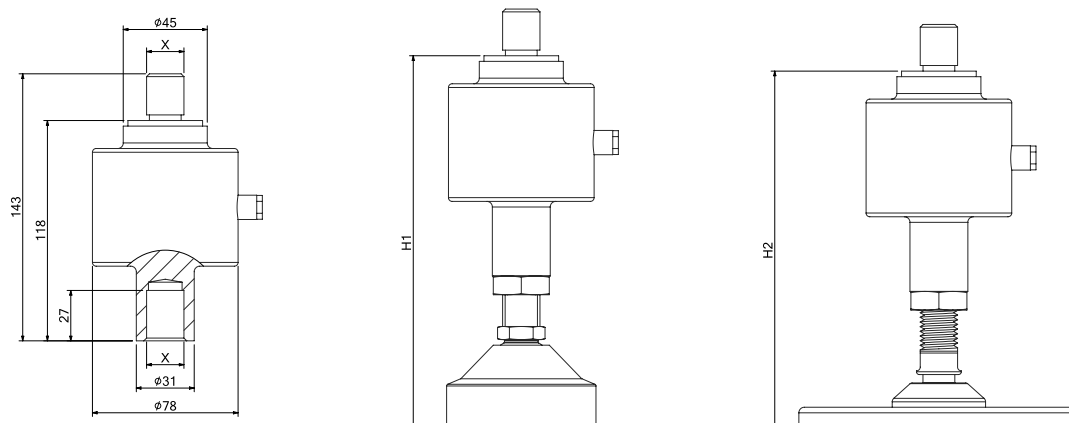


DESCRIPTION  
AISI 304 stainless steel plate for constraints against lateral forces and anti-tilt. Only for SB2 series feet.

CODE: PPV



## DIMENSIONS AND TECHNICAL SPECIFICATIONS



CAPACITY	X	H1 (FLC+SB2)	H2 (FLC+STR)
75 kg	M12x1.75	190÷200 mm	182÷192 mm
150 kg	M12x1.75		
300 kg	M12x1.75		
500 kg	M12x1.75		
1000 kg	M12x1.75		
2000 kg	M12x1.75		
5000 kg	M20x2.5	-	-
10000 kg	M24x3		

### Installation notes:

- screw the foot all the way in;
- slightly unscrew the foot to adjust (maximum excursion: 10 mm);
- tighten the fixing nut.

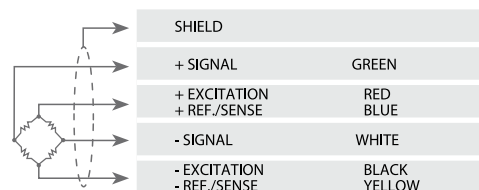
For further information see the STR and SB2 data sheets

## TECHNICAL FEATURES

Material	17-4 PH stainless steel		
Nominal load	75 - 150 - 300 - 500 - 1000 - 2000 - 5000 - 10000 kg		
Combined error	≤ ±0.07%		
Protection rating	IP67		
Rated output	2.0 mV/V ± 5%	Input resistance	350 Ω ±20
Temperature effect on zero	0.002% °C	Output resistance	350 Ω ±5
Temperature effect on span	0.002% °C	Zero balance	> ± 1%
Compensated temperature range	-10 °C / + 50 °C	Insulation resistance	> 5000 MΩ
Operating temperature range	-20 °C / + 60°C	Safe overload (% of full scale)	120%
Creep at nominal load in 30 minutes	0.02%	Ultimate overload (% of full scale)	200%
Max supply voltage without damage	20 VDC	Deflection at nominal load	0.1 mm

## ELECTRICAL CONNECTIONS

Cable length	5 m (75-5000 kg); 10 m (10000 kg)
Cable diameter	5 mm
Cores	6 x 0.20 mm <sup>2</sup>



The Company reserves the right to make changes to the technical data, drawings and images without notice.

Page 2 / 2

The information provided herein is to the best of our knowledge true and accurate, it is provided for guidance only. All specifications are subject to change without prior notification.

**Althen – Your expert partner in Sensors & Controls | [althensensors.com](http://althensensors.com)**

Althen stands for pioneering measurement and custom sensor solutions. In addition we offer services such as calibration, design & engineering, training and renting of measurement equipment.

Germany/Austria/Switzerland  
[info@althen.de](mailto:info@althen.de)

Benelux  
[sales@althen.nl](mailto:sales@althen.nl)

France  
[info@althensensors.fr](mailto:info@althensensors.fr)

Sweden  
[info@althensensors.se](mailto:info@althensensors.se)

USA/Canada  
[info@althensensors.com](mailto:info@althensensors.com)

Other countries  
[info@althensensors.com](mailto:info@althensensors.com)