



bar **MPM460W**

FEATURES

- RS485 semi-duplex communication interface to transmit data signal and do long-distance calibration; easy for netting and connecting with MODEM interface to achieve data wireless transmitting;
- Using piezoresistive pressure/differential pressure sensor and digital correction compensation; high accuracy;
- Strict testing and aging, stable performance; aluminum-alloy electronic housing; IP65 Protection;
- Key setting and calibration, easy installation;
- LED measuring value display and LCD status information display;
- Max.5 relay to control;
- Optional pressure port and standard output signal;



MICROSENSOR

AUTHORIZED DISTRIBUTOR

MPM460W intelligent transmitting control could measure and control level accurately in rugged open environment. It can use RS485 netting and display local measure value, and provide analog standard signal or relay control signal. The product could be used for level measuring, transmitting, displaying and transforming of chemi-industry, metallurgy, ocean, aviation, measurement, science, etc.

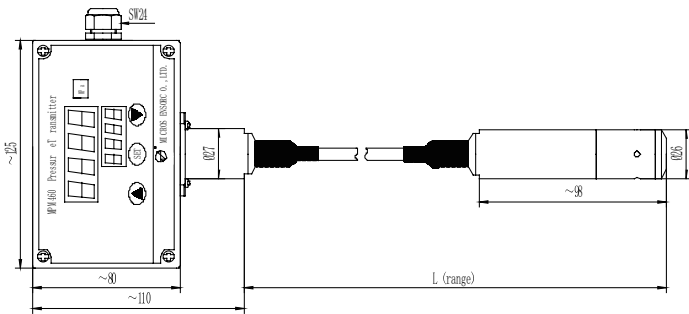
SPECIFICATIONS

Pressure range	0~1...200mH ₂ O
Overpressure	1.5 times FS
Sensor part housing protection	IP68
Output signal	Analog 4~20mADC, 0~10/20mADC or 0/1~5VDC; digital RS485
Accuracy	+0.25%FS(typ.); +0.5%FS(max.) including analog output's lin.,rep. and hys.
Zero temp.drift	+0.03%FS/°C (≤100kPa), +0.02%FS/°C (>100kPa)
FS temp.drift	+0.03%FS/°C (≤100kPa), +0.02%FS/°C (>100kPa)
Long-term stability	≤+0.5%FS/year
Relay quantity	1~5
Load	240V/5A(AC)or 30V/5A(DC)
Relay life	>100000 times
Indicator	4 digit 0.56 inch LED digit indicator; 4 digit 0.36 inch LED situation display indicator
display range	-1999~9999
Power supply	220VAC±15% or 220VDC or 24VDC

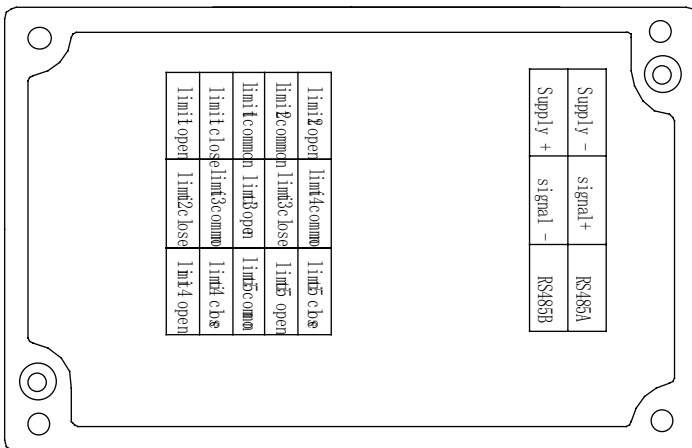
Max.consumption	≤3.5W
Environment temp.	-10°C ~60°C
Frequency	0~300Hz
Media temp.	-10°C ~80°C
Acceleration	≤3×9.81ms ⁻²
Storage temp.	-40°C ~125°C
Impact	≤10×9.81ms ⁻²
Pressure port	stainless steel 1Cr18Ni9Ti
Diaphragm	stainless steel 316L
Electronic housing	aluminum-alloy
Sealing	Viton or full-welded
Pressure port	Optional
Protection	Controller Body IP65; Probe IP68

05.2024 | version 0001

OUTLINE CONSTRUCTION (UNIT:mm)



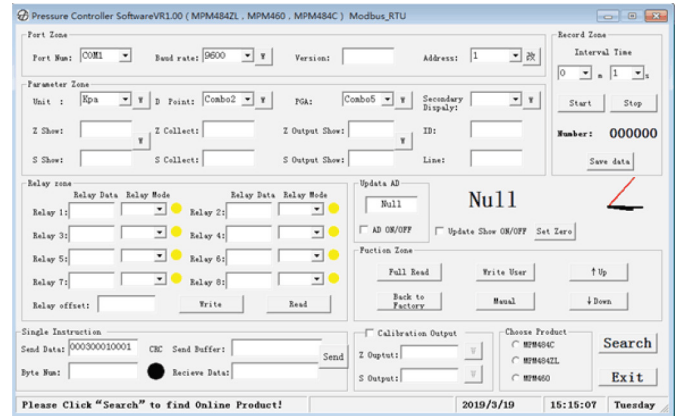
ELECTRICAL CONNECTION



ASSISTANT SOFTWARE

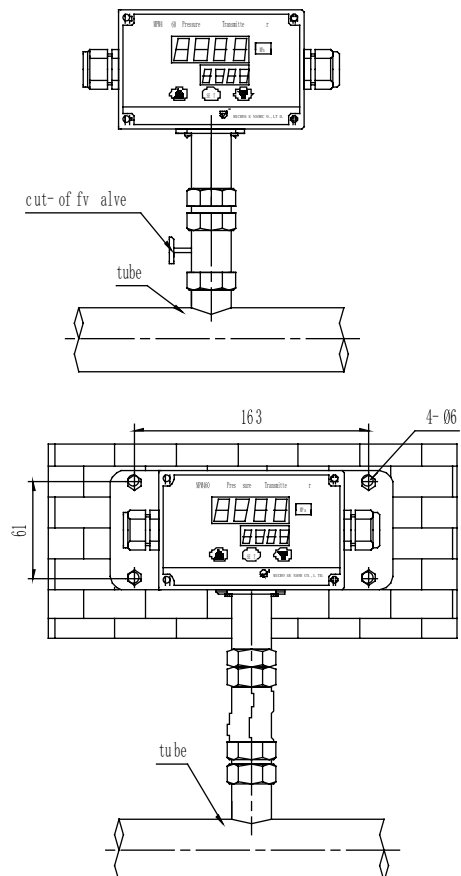
**RS485 Interface's software
Setonline Software**

Communicate with RS485 interface through RS232/485 transforming module, display measuring pressure, level, differential pressure value, zero, analog output and transmitter address.



Note: software "Setonline" could be downloaded from our official website, www.microsensor.cn

APPLICATION EXAMPLE



ORDER GUIDE

MPM460W		Multi-functional Intelligent Level Transmitting Controller				
	Range	Pressure range: mH ₂ O, kPa or MPa				
	[0~XmH ₂ O]Lm	0~1...200mH ₂ O, X=actual measuring level, L=cable length(unit: m)				
		Code	Output signal			
		E	4~20mADC			
		F	1~5VDC			
		J	0~5VDC			
		Q	0~10mADC			
		U	0~20mADC			
		R ₈	RS485 interface			
			Code	Construction material		
				Diaphragm	Pressure port	Housing
			22	SS 316L	SS	Aluminum-alloy
			25	Tantalum	SS	Aluminum-alloy
			35	Tantalum	Hastelloy C	Aluminum-alloy
			Code	Others		
			J _n	Relay quantity, n=1~5		
			V ₁	Power supply 24VDC		
			V ₂	Power supply 220VAC		
			F ₁	Fixed flange		
MPM460W	[0~200]kPa	F	22	J ₁ V ₁ F ₁	the whole spec	

Notes:

1. Please note power supply, accuracy, relay quantity; the default is 24VDC power supply, accuracy 0.5%FS and no relay control;
2. If the user needs communication software and instruction for RS485 interface, please note in the order;
3. The user who needs MPM460W, please install product as MPM416W/426W operation manual; we can provide fixed flange for the user;

The information provided herein is to the best of our knowledge true and accurate, it is provided for guidance only. All specifications are subject to change without prior notification.

Althen is the innovative sensor expert that creates integrated sensor and measurement solutions for the creators of tomorrow | althensensors.com

We create integrated sensor and measurement solutions. In addition we offer services such as calibration, repairs, design & engineering, training and renting of measurement equipment.