



bar KDE-PA/KDF-PA SOIL PRESSURE GAUGE

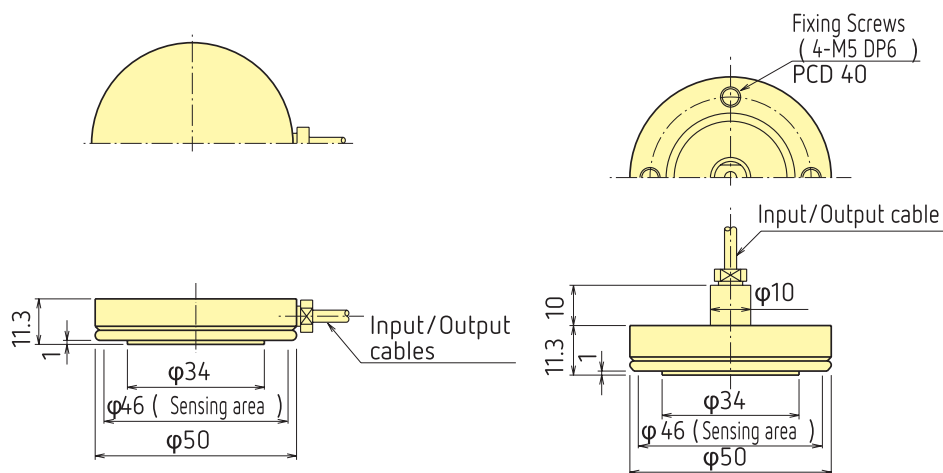
The KDE-PA and KDF-PA are soil pressure gauges each 50 mm in outside diameter. They are small in size and have a dual diaphragm structure, so they are widely used to conduct model experiments. With the KDE-PA, the Input/Output cable comes from the side of body, while with the KDF-PA, it comes from the center of the back of body. This is the difference between these two models.

Protection ratings : IP 68 equivalent



KDE-PA

KDF-PA



SPECIFICATIONS

Type	KDE-200KPa	KDF-200KPa	KDE-500KPa	KDF-500KPa	KDE-1MPa	KDF-1MPa	KDE-2MPa	KDF-2MPa
Capacity	200kPa		500kPa		1 MPa		2 MPa	
Rated output	Approx. 0.3mV/V (600×10 ⁻⁶ strain)		Approx. 0.5mV/V (1000×10 ⁻⁶ strain)					
Non-linearity	2%RO							
Temperature range	- 20 ~ + 60°C							
Input/output resistance	350Ω							
Recommended exciting voltage	Less than 3V							
Allowable exciting voltage	10V							
Cable drawing direction	KDE-PA : from side of body/KDF-PA : from back of body							
Weight	160g							

Input/output cable : φ 3mm 0.05mm² 4-core shielded chloroprene cabl 2m



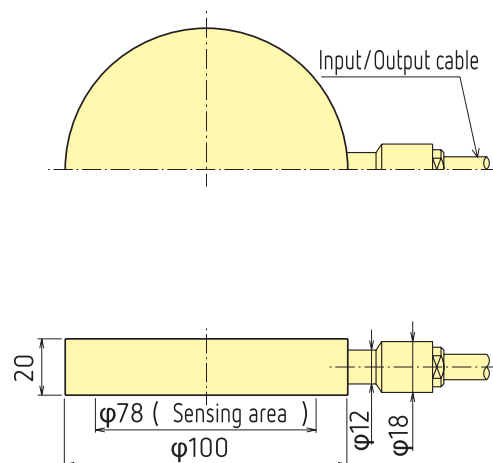
bar KDG-PA / KDH-PA LOAD-CELL TYPE SOIL PRESSURE GAUGE

The KDG-PA and KDH-PA are stainless-steel soil pressure gauges each 100 mm in outside diameter. They are load-cell-type soil pressure gauges and designed with a high level of resistance to lateral pressure. The difference between these two models is the way the cable is attached to the gauge body.

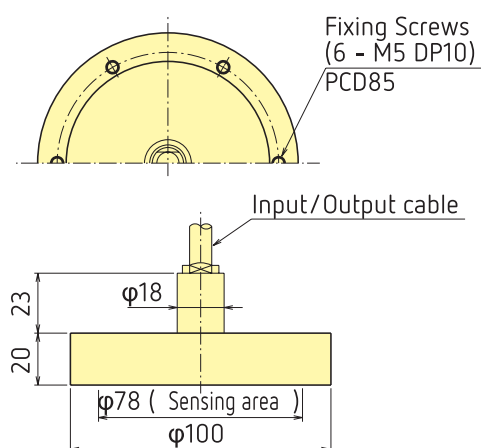
Protection ratings : IP 68 equivalent



KDG-PA



KDH-PA



SPECIFICATIONS

Type	KDG-200KPA	KDH-200KPA	KDG-500KPA	KDH-500KPA	KDG-1MPa	KDH-1MPa	KDG-2MPa	KDH-2MPa
Capacity	200kPa		500kPa		1 MPa		2MPa	
Rated output	Approx. 1mV/V (2000×10 ⁻⁶ strain)							
Non-linearity	1%RO							
Temperature range	- 20 ~ + 60°C							
Input/output resistance	350Ω							
Recommended exciting voltage	Less than 3V							
Allowable exciting voltage	10V							
Cable drawing direction	KDG-PA : from side of body / KDH-PA : from back of body							
Weight	1.2kg							

Input/output cable : ϕ 9mm 0.5mm² 4-core shielded chloroprene cabl 2m

The information provided herein is to the best of our knowledge true and accurate, it is provided for guidance only. All specifications are subject to change without prior notification.